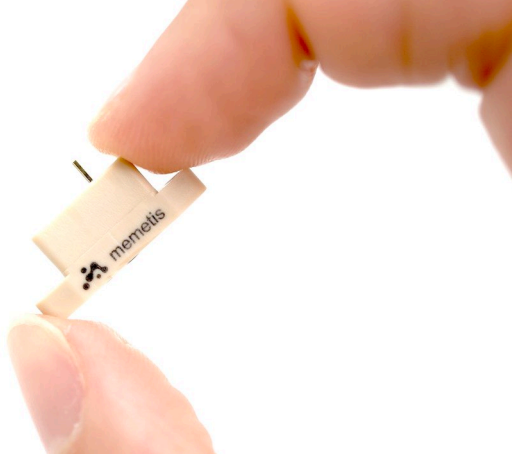
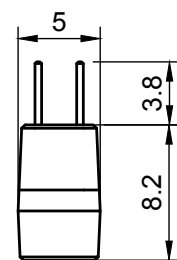
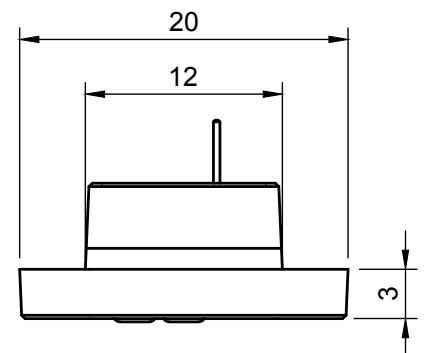
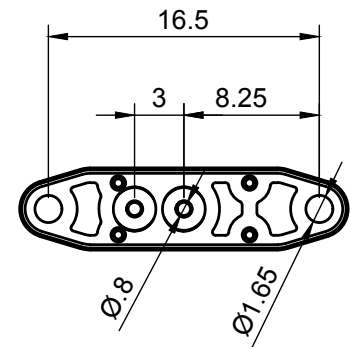


Normally Closed Microvalve *negative pressure*



The 2/2-way normally closed microvalve is an ultra-compact, lightweight device designed with cutting-edge actuation technology using a shape memory alloy. Its media-separated design makes it compatible with both liquids and gases, making it highly versatile across a range of application areas such as life sciences, microfluidics, diagnostics, and aerospace.

Notably, the microvalve delivers an exceptional fluidic performance for its size while maintaining minimal power consumption, setting a new benchmark in efficiency and effectiveness in the realm of microvalve technology.



Contact Information

memetis GmbH
 Gablonzer Str. 27
 76185 Karlsruhe, Germany
 Tel. +49 721 547000240
 Email: support@memetis.com

*Dimensions in millimeters
 CAD model available on request*

General Information

Model ID	MVL-22-NC-08-03P-PEEK-SIL
Type	2/2-way, media separated
Functionality	Normally closed valve: on/off, proportional control possible
Media types	Liquids, gases
Dimensions (WxLxH)	20 mm x 5 mm x 8 mm
Nominal orifice DN	0.8 mm
Weight	0.8 g
Internal volume	< 6.5 μ l
Fluidic connection	Flange mount (2x M1.6 screws), silicone o-rings included
Cycle lifetime	> 2 x 10 ⁶ cycles (contact us for lifetime > 15 x 10 ⁶ cycles)

Performance data

Min. relative input pressure	-0.7 bar
Max. relative pressure (inlet)	2.0 bar
Max. relative pressure (outlet)	2.0 bar
Operating temperature	10 °C to 50 °C
Storage temperature	-20 °C to 90 °C
Switching time (on)	< 0.05 s (at Δp = 1 bar and 20 °C ambient temperature)
Switching time (off)	< 0.16 s (at Δp = 1 bar and 20 °C ambient temperature)
Flow rate (air)	2800 ml/min (at 1 bar relative pressure)
Flow rate (water)	85 ml/min (at 1 bar relative pressure)
K _v value	0.0045 m ³ /h
Autoclavability	Yes (tested at 134 °C and 2 bars)

Wetted Materials

Housing	PEEK
Sealing membrane	Silicone (contact us for different materials)
O-rings	Silicone (contact us for different materials)

Electrical Specifications

Electronic control	Constant current controlled
Electrical connection	Pin header, pitch 2.54 mm (contact us for different connection)
Electrical power consumption	< 0.25 W
Actuator resistance	1.05 Ω ± 20%

Continuous current control

Continuous electrical current	500 mA (at 20 °C ambient temperature)
Electrical power consumption	0.25 W (at 20 °C ambient temperature)
Continuous electrical current	350 mA (at 50 °C ambient temperature)
Electrical power consumption	0.125 W (at 50 °C ambient temperature)

Electrical current profile control

Peak and hold electrical currents	750 mA for 50 ms, 375 mA continuous (at 20 °C ambient temp.)
Electrical power consumption	< 0.6 W for 50 ms, < 0.15 W continuous (at 20 °C ambient temp.)

- ⚠ Please note:**
- The valves are current-controlled. For easy integration and evaluation we offer electronic control units.
 - An electrical overcurrent may reduce cycle life-time.
 - We recommend validating the current profiles within your specific application and ambient conditions.
 - Do not attempt to operate the valve at constant voltage!

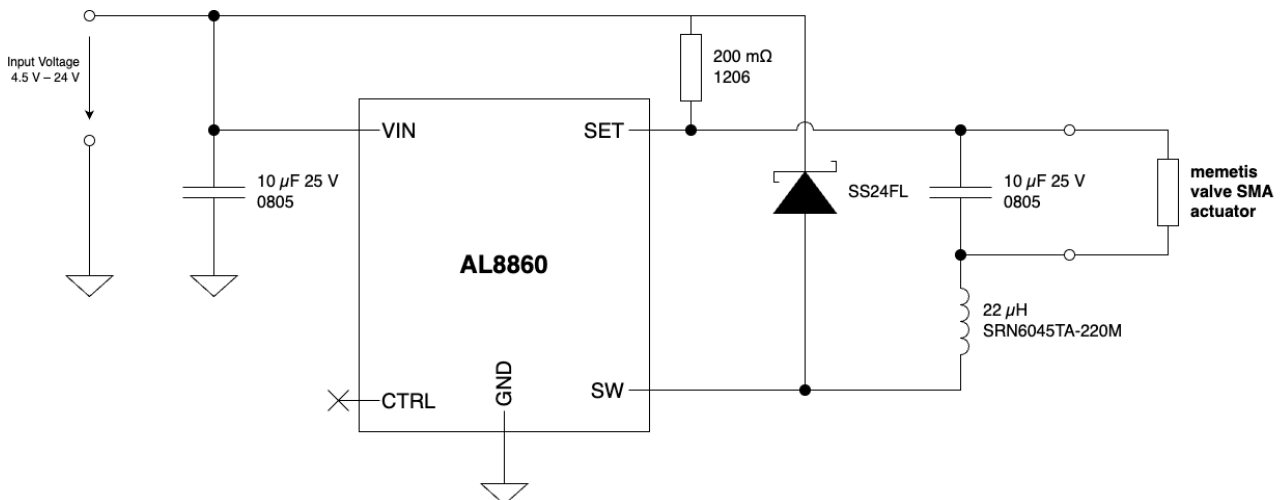


Figure 1: Exemplary circuit design for constant current source

Flow Rate Characteristic

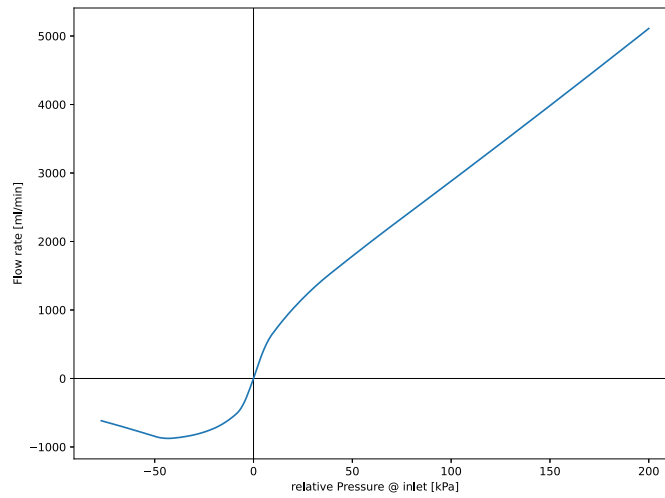


Figure 2: Flow rate characteristic for air at 20 °C, an applied pressure difference of -0.7 bar to 2 bar, and a continuous electrical current of 500 mA.

Installation

memetis miniature valves have a flange mount connection. Two M1.6 screws are required for integration on a flat backplane with fluidic connection holes of 0.8 mm orifice. The o-rings needed for sealing interface are integrated underneath the valve.

Accessories

ECU-S1	Electronic control unit (on/off) for 1 valve
ECU-P2	Programmable and GUI supported electronic control unit for 2 valves
Tube adapters	Suitable for interfacing 1 or 2 valves with 1.6 mm ID silicone tubes
Threaded adapters	For 1, 2, 4 valves with a common inlet or outlet. Suitable for connecting UNF 10/32 threaded connectors, e.g., LUER® or IDEX®.



Figure 3: ECUs and valve adapters are available from the memetis online shop at shop.memetis.com

Contact Information

memetis GmbH
 Gablonzer Str. 27
 76185 Karlsruhe, Germany
 Tel. +49 721 547000240
 Email: support@memetis.com